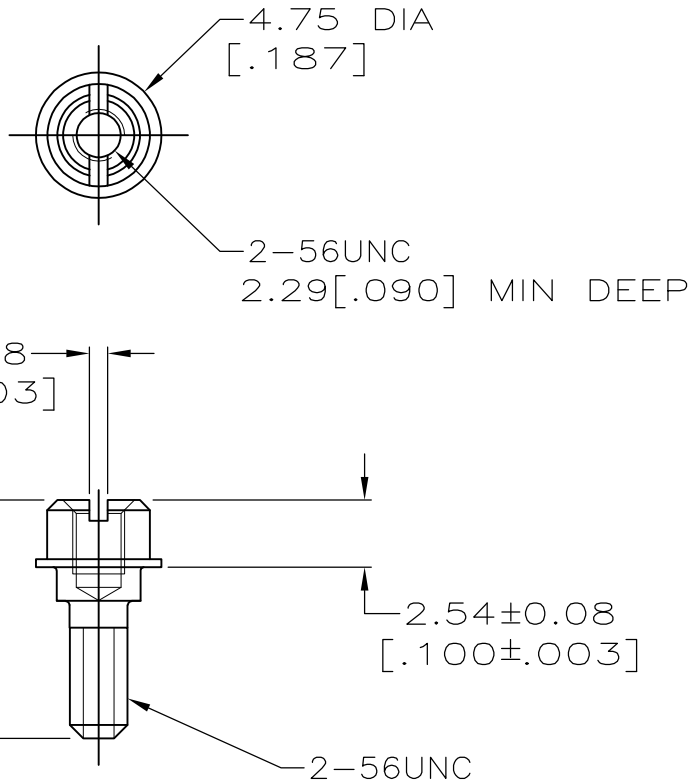


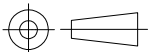
LOC	DIST	REVISIONS					
BD	95	P	LTR	DESCRIPTION	DATE	DWN	APVD
		B1		REVISED PER ECO-11-004835	11MAR11	RK	HMR



THIS DRAWING IS UNPUBLISHED. ALL RIGHTS RESERVED.

BULK	2	786585-3
INDIVIDUALLY	2	786585-2
PACKAGING TYPE	QTY	PART NO

DIMENSIONS: MM[INCHES]	DWN	C.OBERMAN	10/23/92	MATERIAL	STAINLESS STEEL	FINISH	-
	CHK	W.LENKER	10-25-92	TE Connectivity			
TOLERANCES UNLESS OTHERWISE SPECIFIED: 0 PLC ± - 1 PLC ± - 2 PLC ± 0.13 [.005] 3 PLC ± - 4 PLC ± - ANGLES ± -	APVD	T.SPANGLER	10-27-92				
	PRODUCT SPEC	-			SIZE	CAGE CODE	DRAWING NO
APPLICATION SPEC	-			A4	00779	C-786585	-
WEIGHT	-			CUSTOMER DRAWING			



SCALE	4:1	SHEET	1 OF 1	REV	B1
-------	-----	-------	--------	-----	----